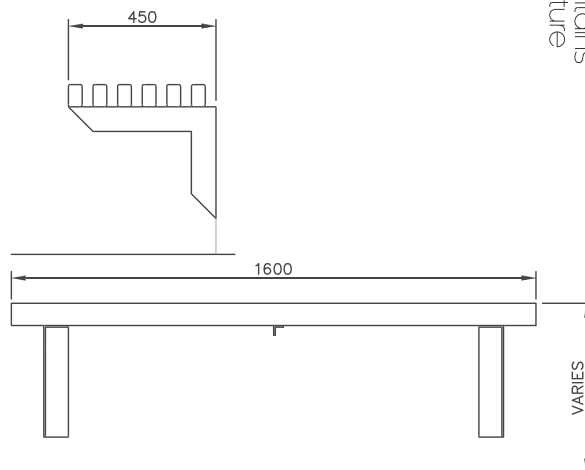
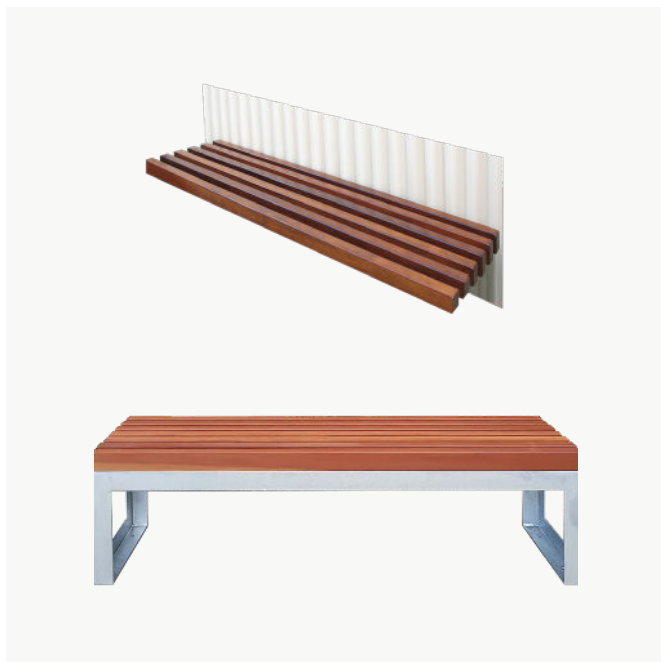


BENCH SEATS | CITY BENCH SEAT WALL MOUNTED OR STANDARD SPECIFICATION SHEET



MODEL

Model: City Seat – wall mounted or surface mounted

SKU: SEATCITY – wall mounted seat
SEATCITYSURF – Surface mounted seat

DIMENSIONS

Seat Height: 500mm

Seat Width: 450mm

Length: 1600mm

CERTIFICATIONS



FEATURES

- + Galvanised Steel Frame
- + 316 S/S Fixings
- + 42mm x 68mm Hardwood Timber Battens
- + Surface Mounted
- + Triple stained timber finish
- + Australian Made
- + Solid Construction
- + Welded not bolted

OPTIONS

- + Arm Rests
- + Stainless Steel Frame
- + Powder Coated finish
- + Aluminium Battens
- + Custom Lengths up to 3000mm
- + Skateboard lugs

POPULAR COLOURS



COAST



STORM



DESERT



FLAME



LEAF



EVERGREEN



MONUMENT



STAINLESS STEEL