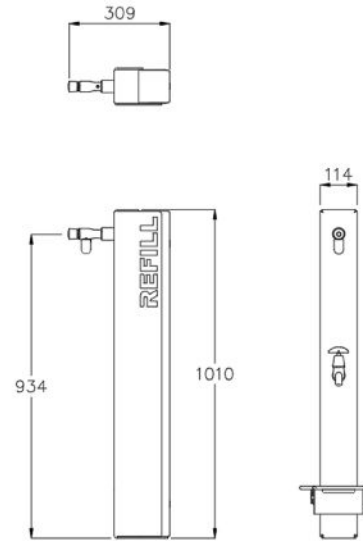


**ARCHITECTURAL FOUNTAINS | BF400P BOTTLE REFILL SERIES**  
SPECIFICATION SHEET



**MODEL**

Model: BF400 Bottle refill series  
SKU: DFBF400P (plastic post with bottle refill only)  
DFBF400PD (plastic post with bottle refill and tap and dog bowl)

**DIMENSIONS**

Total Height: 1010mm  
Width: 114mm x 309 mm

**CERTIFICATIONS**



**FEATURES**

- + Strong and durable Galvanised Steel construction
- + Sustainable Circular Economy design
- + Modular design for flexibility/retrofit Recycled Timber Post
- + Recycled Plastic Post
- + Australian Made
- + Vandal resistant
- + Surface Mounted
- + Concealed Fixings

**OPTIONS**

- + Tap and Dog Bowl
- + Maintenance Tap
- + Tap Shrouds
- + Carbon Filter
- + Artwork - Logo/Plaque/ Vinyl wrap
- + Powder Coated
- + Stainless Steel

**POPULAR COLOURS**

