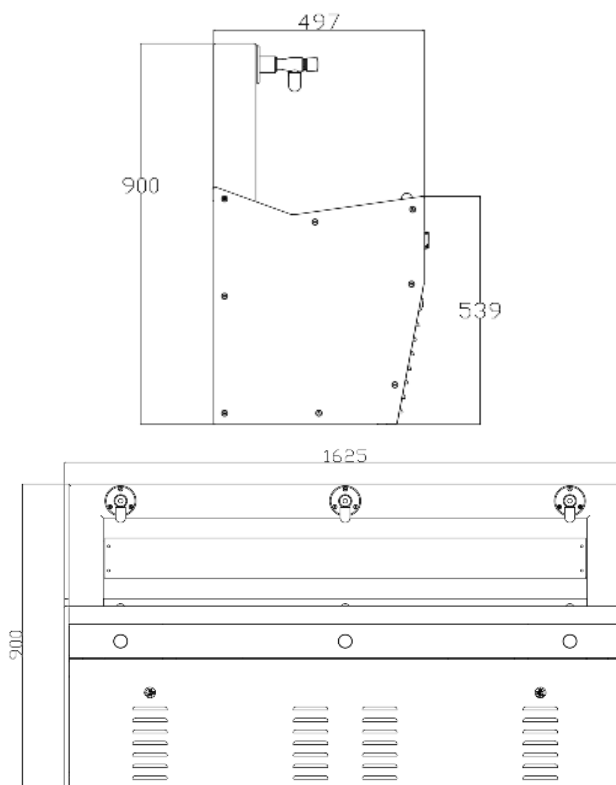
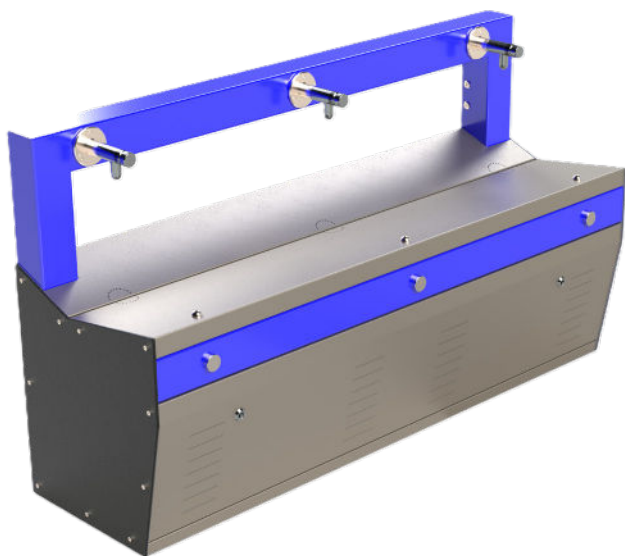


ARCHITECTURAL FOUNTAINS | CF400 CHILLED OUTDOOR DRINKING FOUNTAIN | SPECIFICATION SHEET



MODEL

Model: CF400 Chilled Outdoor Drinking Fountain
SKU: DFCF400 DFCF400_P (with optional signage)

DIMENSIONS

Total Height: 900mm
Width: 1625mm
Depth: 497mm

CERTIFICATIONS



FEATURES

- + Stainless Steel Modular Construction
- + 3x Bottle Filler
- + 3x Drinking Bubblers
- + 316 S/S Trough and Fixings
- + 72L/hour chilling capacity
- + Easy Activated push buttons
- + Wall Mounted (height can vary to suit requirements)
- + 240V Electrical supply
- + Australian Made
- + Vandal resistant
- + Easy Installation

OPTIONS

- + Available in 2 tap or single tap units
- + Floor Mounted
- + Different Powder coated colour options for Top Frame
- + Optional Signage or Logo Panel with branding
- + Sensor activated Bubblers
- + DDA Basin

POPULAR COLOURS

