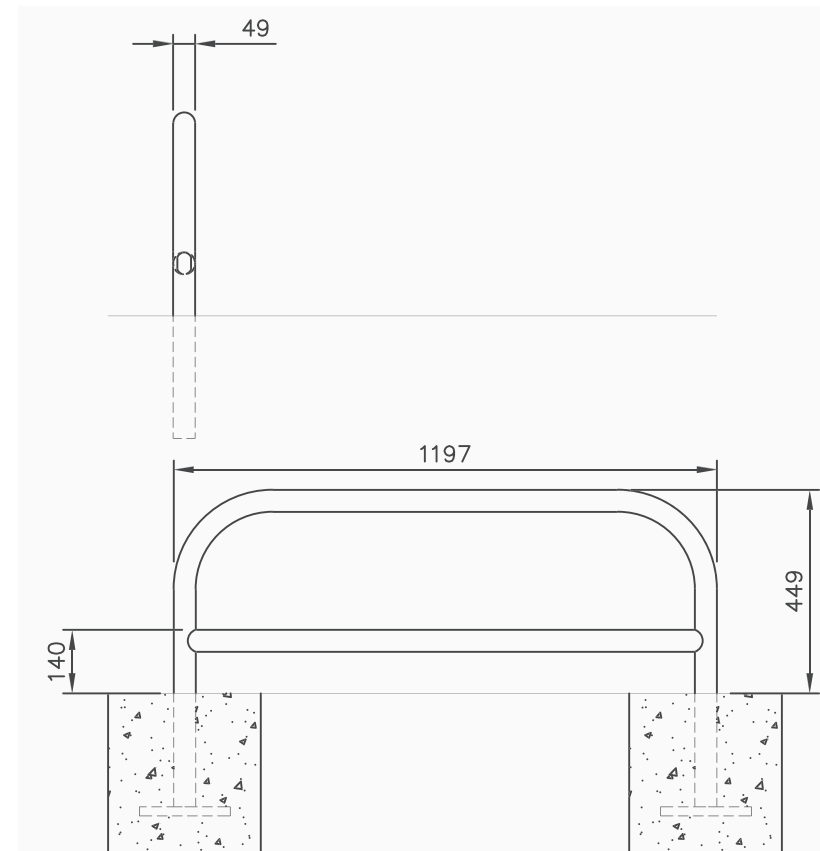


# Dog Play Equipment: Double Bar Dog Jump

The Dog Jump is part of Urban's extensive range of dog exercise equipment we manufacture for use in off leash areas within City Council Parks. These areas are becoming increasingly popular as Councils recognise the need to provide dog friendly areas within local parks.

All dog exercise equipment is made of galvanised steel and powder coated for extra durability. A variety of powder coated colours available. Stainless Steel could also be used if required. It can be mounted either below or above ground.

- Dimensions**
- Total height: 449mm above ground
  - First bar height: 140mm
  - Width: 1197mm
- Materials**
- 40NB Steel tubing
- Finishes**
- Galvanised
  - Powdercoated
- Fixings**
- In-ground 270mm
  - or surface mounted with base plate (extra cost incurred)
- Options**
- Variable height and width available on request
  - Stainless steel



[Click to view the latest Dog Jump projects online](#)



Get the latest specification news on



[www.urbanff.com.au](http://www.urbanff.com.au)

07 3382 7372

info@urbanff.com.au

*Urban*  
fountains + furniture