

# Drinking Fountain: PB150

The PB150 is an elegant but simple post bubbler with a unique directional external outlet flow that can be used to water surrounding garden beds. It is not suitable for disabled access.

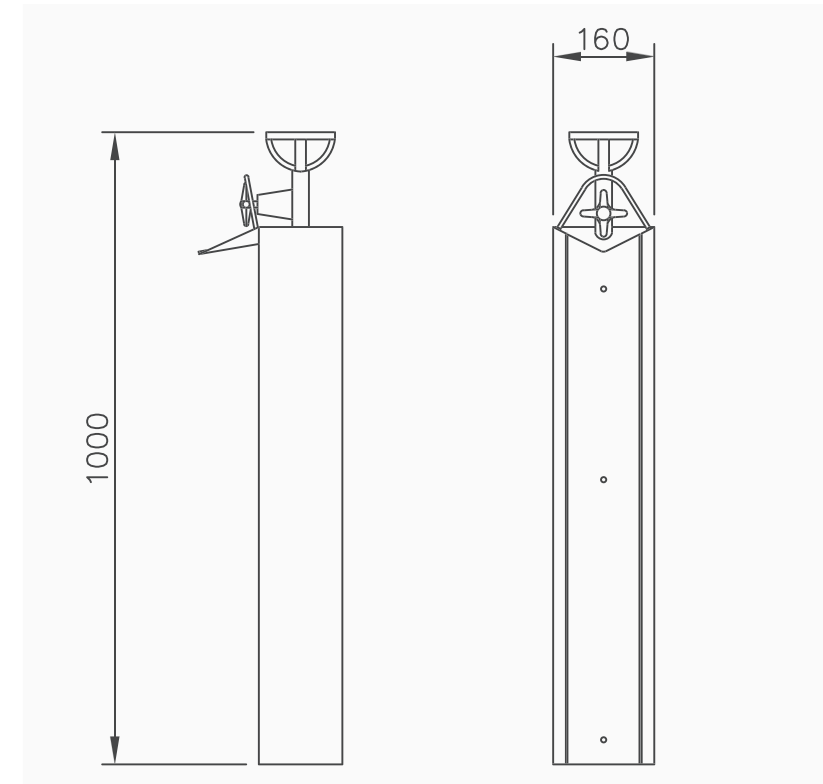
- Dimensions**
- Total Height: 1000mm
  - 160mm x 138mm

- Water Receptacle**
- 316 stainless steel catchment tray
  - Chrome bubbler
  - Chrome self returning tap

- Finishes**
- 316 Satin stainless steel
  - Powdercoated as an option

- Fixings**
- Surface mounted with Dyna bolts or in ground fixings with foundation cage
  - 316 Stainless steel security screws on access door

- Options**
- Optional tap available
  - Optional different height
  - Full parts and technical back up service available
  - Service kits available for purchase



[Click to view the latest PB150 projects online](#)



Get the latest specification news on



[www.urbanff.com.au](http://www.urbanff.com.au)

07 3382 7372

[info@urbanff.com.au](mailto:info@urbanff.com.au)

*Urban*  
fountains + furniture