

Picnic Table: PT03

The PT03 is a one piece strong & durable picnic table with seating attached to accommodate 6 people.

Dimensions

- Seat Height: 504mm
- Length: 1750mm
- Table Height: 807mm
- Table Width: 870mm
- Total Width: 1650mm
- Seats 6 persons

Materials

- Galvanised steel support frame
- Kwila wooden slats 140mm x 31mm

Finishes

- Galvanised only finish
- Powder coated in your choice of colour
- Kwila timber protected with 3 coats of hardwood oil

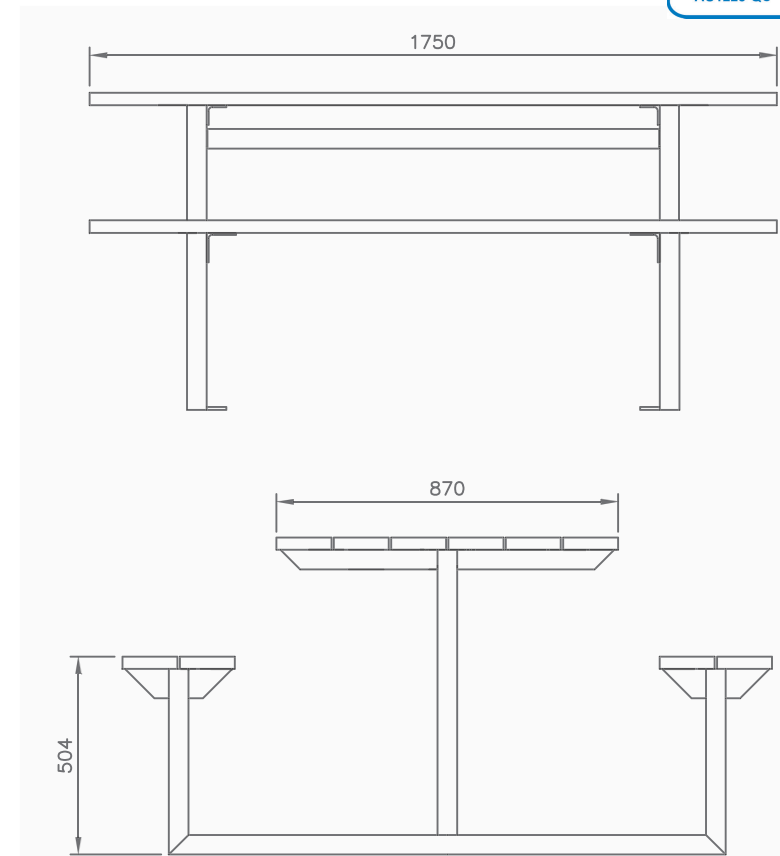
Fixings

- Surface mounted with Dyna bolts

Options

- Aluminium battens instead of timber
- Extra seating on request
- Variable height and length

[Click to view the latest PT03 projects online](#)



Get the latest specification news on



www.urbanff.com.au

07 3382 7372

info@urbanff.com.au

Urban
fountains + furniture