

# Picnic Table: PT04

The PT04 is a one piece strong & durable picnic table with seating attached to accommodate 6 people.

- Dimensions**
- Seat Height: 500mm
  - Length: 1750mm
  - Table Height: 810mm
  - Table Width: 762mm
  - Total Width: 1600mm
  - Seats 6-8 persons

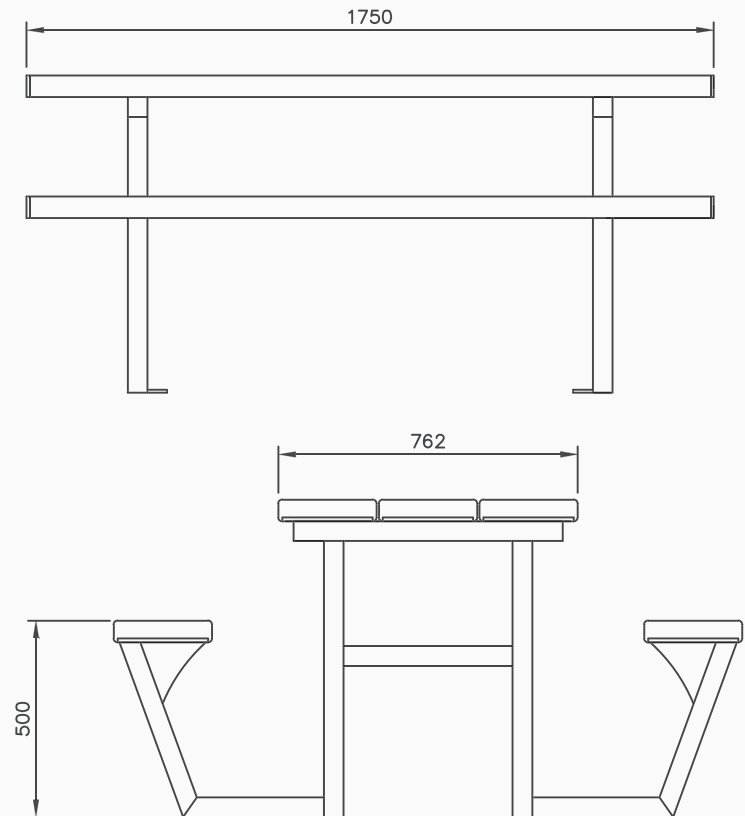
- Materials**
- Galvanised steel support frame
  - Aluminium extrusion battens 250mm x 55mm

- Finishes**
- Hot dipped galvanised finish
  - Powder coated in your choice of colour

- Fixings**
- Surface mounted with Dyna bolts

- Options**
- Timber battens instead of aluminium
  - Extra seating on request
  - Variable height and length

[Click to view the latest PT04 projects online](#)



Get the latest specification news on



[www.urbanff.com.au](http://www.urbanff.com.au)

07 3382 7372

[info@urbanff.com.au](mailto:info@urbanff.com.au)

*Urban*  
fountains + furniture