

# Picnic Table: PT05

The PT05 is an extremely strong and durable picnic table setting with little or no maintenance requirements. The table complements the SB3 steel rod seating.

## Dimensions

- Seat Height: 500mm
- Length: 1750mm
- Table height: 800mm
- Table width: 875mm
- Seats 6 persons

## Materials

- 8mm galvanised steel support frame
- 16mm solid round bar
- Hot spray galvanised finish
- Powder coated in your choice of colour

## Finishes

- Surface mounted with Dynabolts

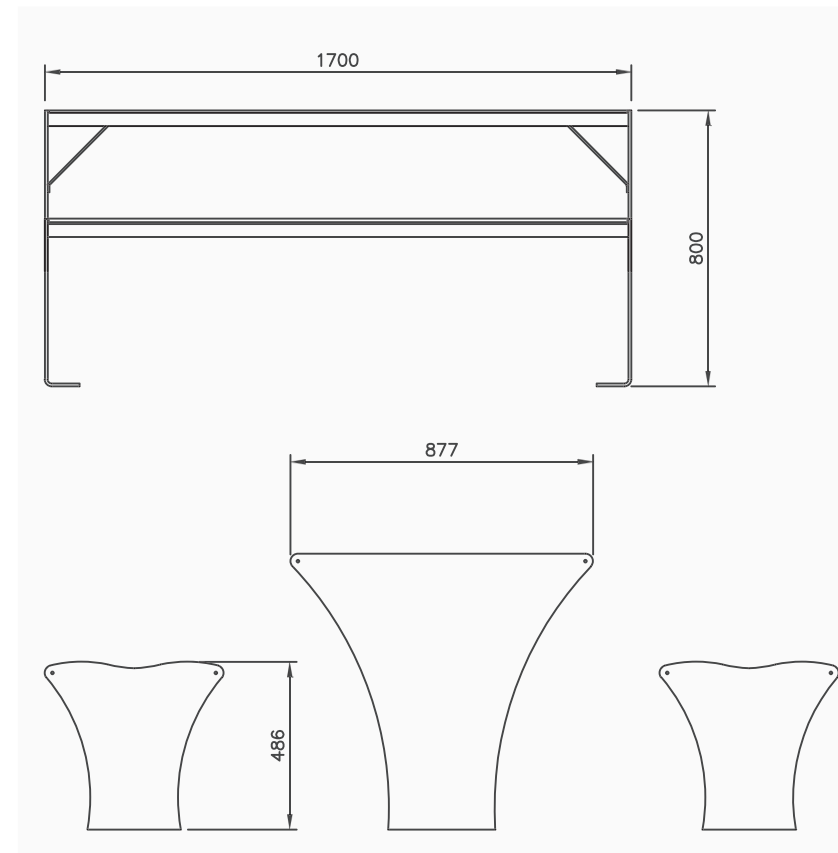
## Fixings

- In ground fixing available
- Surface mounted with Dynabolts

## Options

- Variable length available
- Extra seating on request
- Stainless steel rods
- Your logo or motif laser cut into ends (example pictured)

[Click to view the latest PT05 projects online](#)



Get the latest specification news on



[www.urbanff.com.au](http://www.urbanff.com.au)

07 3382 7372

[info@urbanff.com.au](mailto:info@urbanff.com.au)

*Urban*  
fountains + furniture