

Picnic Table: PT06

Urban have focused again on creating a strong functional picnic table that is also aesthetically pleasing, by incorporating the timeless look of timber, polished stainless and powder coated mild steel into the design.

The decorative centre panel on the PT06 table and the bull nose timber edges create a more stylish design that cannot be found on standard picnic settings.

- Dimensions**
- Seat Height: 450mm
 - Length: 1800mm
 - Table height: 800mm
 - Seats 4-6 persons

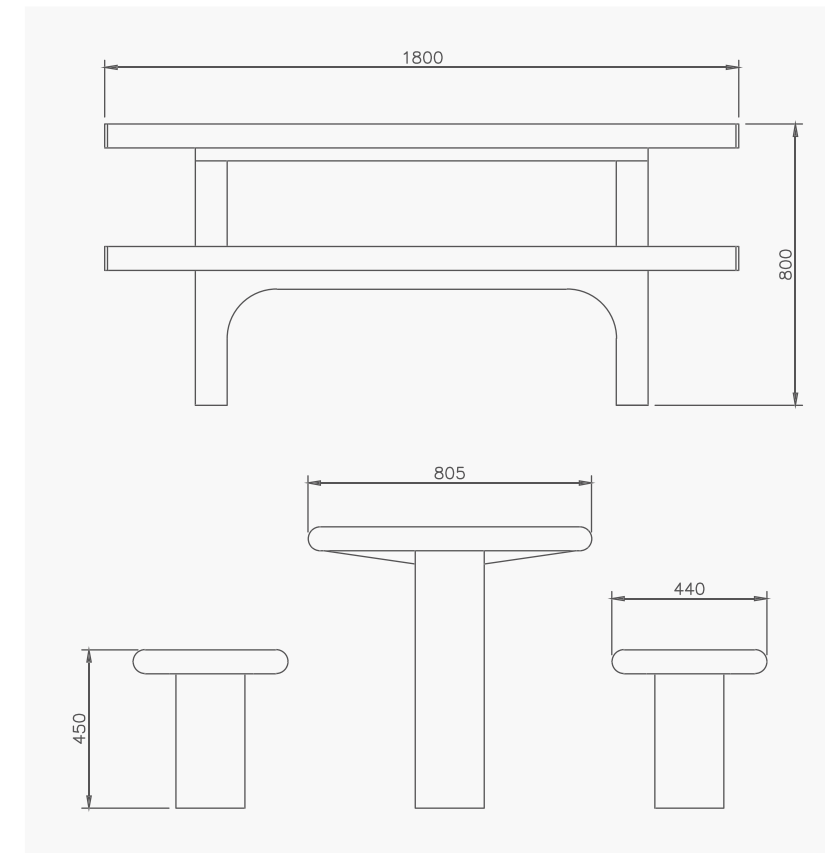
- Materials**
- Mild Steel support frame
 - Kwila wooden slats 31mm x 68mm
 - Stainless Steel Polished end plates

- Finishes**
- Powder Coated in your choice of colour
 - All Timber Battens are prepared with Intergrain DWD timber protection

- Fixings**
- Surface mounted with Dynabolts

- Options**
- Extra length up to 2000mm on request

[Click to view the latest PT06 projects online](#)



Get the latest specification news on



www.urbanff.com.au

07 3382 7372

info@urbanff.com.au

Urban
fountains + furniture