

# Bench Seat: Alperton

The Alperton Bench Seat is a durable, streamlined and modern seat. Manufactured in cast aluminium with timber slats, the Alperton has been ergonomically designed to give a comfortable seating position.

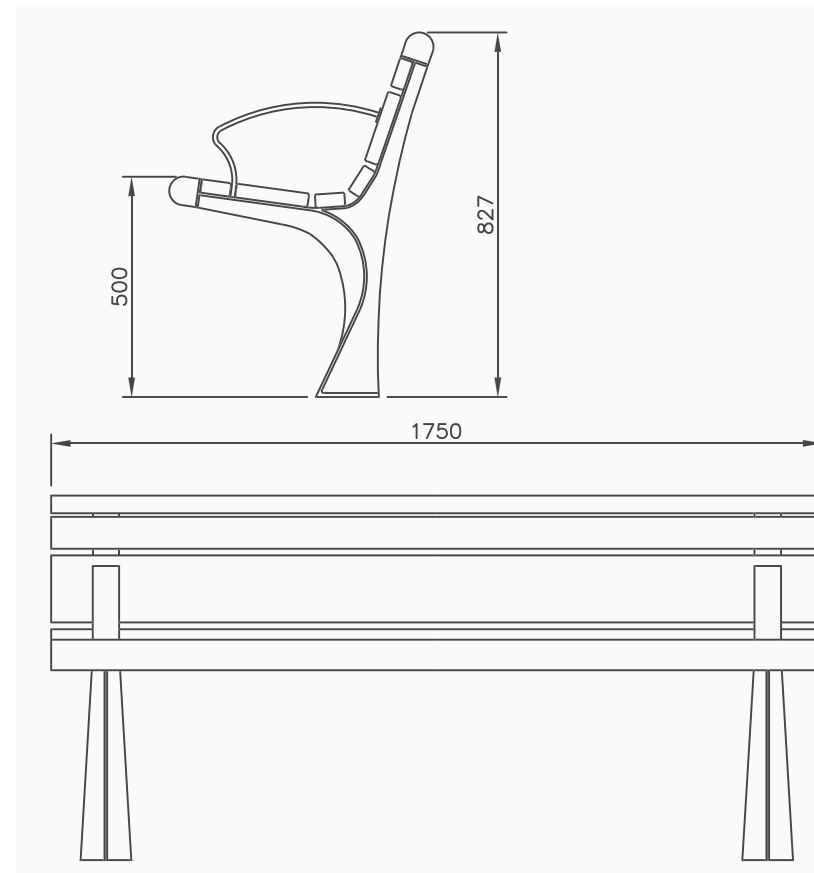
All seats have been designed to give optimum strength and durability. The Alperton is made of the highest quality imported Kwila, suitably seasoned and treated with three coats of hardwood oil for durability and enhanced natural appearance.

- Dimensions**
- Seat height: 475mm
  - Seat length: 1750mm

- Materials**
- Cast aluminium
  - Kwila timber battens 168mm x 31mm, 68mm x 31mm
  - Perforated sheet metal as an option

- Finishes**
- Available in a variety of powder coated colours
  - Raw alloy finish available
  - All timber battens are double stained and clear coated with weather protection coating.

- Options**
- Raw alloy finish
  - Perforated sheet metal instead of timber battens
  - Optional arm rests



[Click to view the latest Alperton projects online](#)



Get the latest specification news on



[www.urbanff.com.au](http://www.urbanff.com.au)

07 3382 7372

[info@urbanff.com.au](mailto:info@urbanff.com.au)

*Urban*  
fountains + furniture