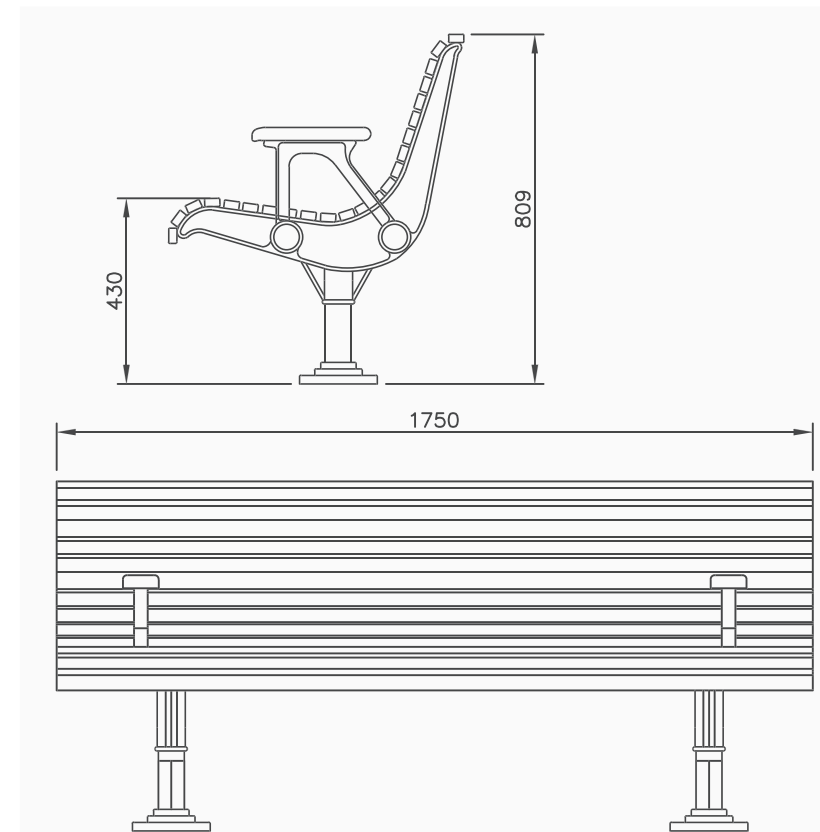


# Bench Seat: BCC

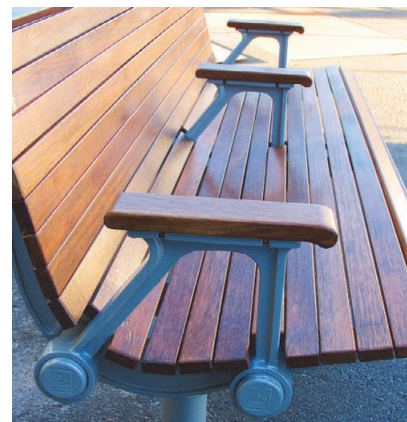
The BCC Bench Seat is used exclusively by the Brisbane City Council throughout the CBD and suburban centres. Manufactured in cast aluminium with timber slats, the BCC Bench Seat provides a comfortable seating position.

All seats have been manufactured to give optimum strength and durability. The BCC Bench Seat is made of the highest quality imported Kwila, suitably seasoned and treated with three coats of hardwood oil for durability and enhanced natural appearance.

- Dimensions**
- Seat height: 450mm
  - Seat length: 1750mm
- Materials**
- Cast aluminium
  - Kwila timber battens 19mm x 38mm
- Finishes**
- Available in a variety of powder coated colours
  - All timber battens are double stained and clear coated with weather protection coating.
- Options**
- Optional extra arm rests



[Click to view the latest BCC projects online](#)



Get the latest specification news on



[www.urbanff.com.au](http://www.urbanff.com.au)

07 3382 7372

[info@urbanff.com.au](mailto:info@urbanff.com.au)

*Urban*  
fountains + furniture