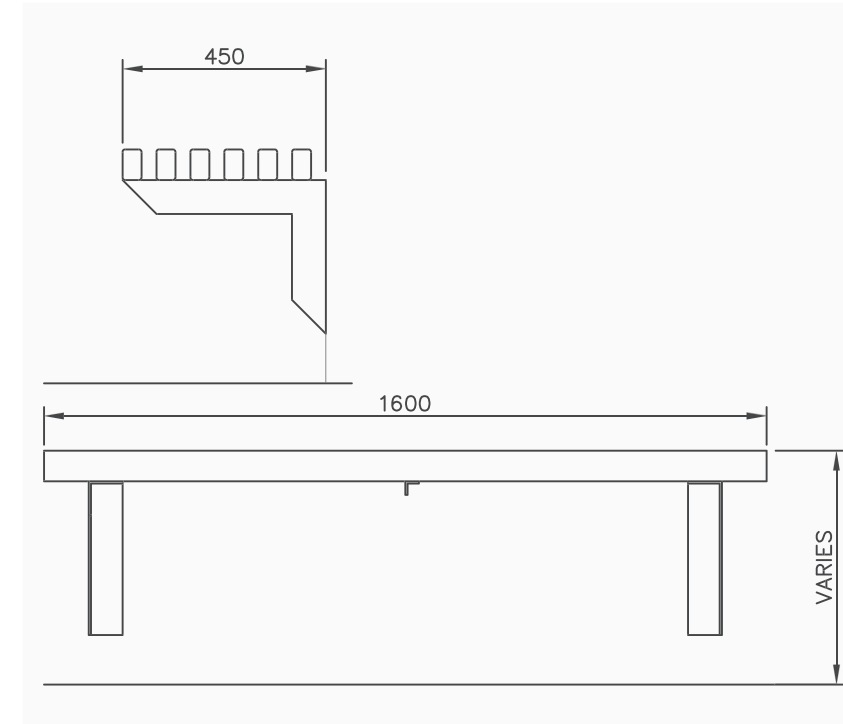


# Bench Seat: City

The City Seat is a strong and durable wall mounted seat suitable for areas within Cities and parks that may have restricted footpath access or just wanting a different look to the conventional footpath mounted seat.

- Dimensions**
- Seat height: 500mm (variable depending on mounting position)
  - Seat width: 450mm
  - Seat length: 1600mm
- Materials**
- Galvanised steel frame
  - Kwila wooden slats 42mm x 68mm
- Finishes**
- Galvanised finish
  - All timber battens are Kwila Timber, protected three coats of hardwood oil
- Options**
- Optional arm rests
  - Variable lengths available
  - Aluminium or steel battens
  - Skateboard restrictors
  - Powdercoated in your choice of colours



[Click to view the latest City Seat projects online](#)



Get the latest specification news on



[www.urbanff.com.au](http://www.urbanff.com.au)

07 3382 7372

[info@urbanff.com.au](mailto:info@urbanff.com.au)

*Urban*  
fountains + furniture