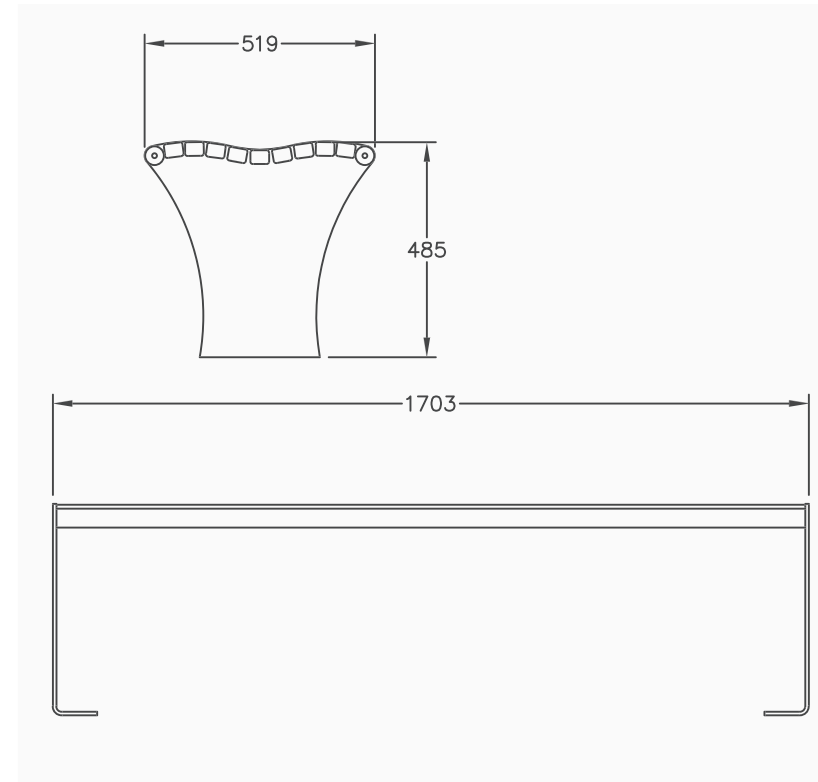


Bench Seat: SB1

The SB1 Bench Seat is a great example of simple, ultramodern design. Manufactured in laser cut steel with timber slats, the SB1 has been ergonomically designed to give a comfortable seating position.

All seats have been designed to give optimum strength and durability. The SB1 is made of the highest quality imported Kwila, suitably seasoned and treated with three coats of hardwood oil for durability and enhanced natural appearance.

- Dimensions**
- Seat height: 485mm
 - Seat length: 1703mm
- Materials**
- Laser cut steel
 - Kwila timber battens 44mm x 32mm
 - Aluminium battens as an option
- Finishes**
- Hot spray galvanised
 - Available in a variety of powder coated colours
 - All Timber Battens are Kwila Timber protected with three coats of hardwood oil
- Options**
- Aluminium battens
 - Stainless steel body



[Click to view the latest SB1 projects online](#)



Get the latest specification news on



www.urbanff.com.au

07 3382 7372

info@urbanff.com.au

Urban
fountains + furniture