

Bench Seat: SB3

The SB3 Bench Seat is a great example of simple, ultramodern design. Manufactured in laser cut steel with 16mm round bars, the SB3 has been ergonomically designed to give a comfortable seating position. All seats have been designed to give optimum strength and durability.

It can be tailor made to suit your individual requirements. The standard model is 1700mm long but we can manufacture to any specifications.

Dimensions

- Seat height: 486mm
- Seat length: 1700mm

Materials

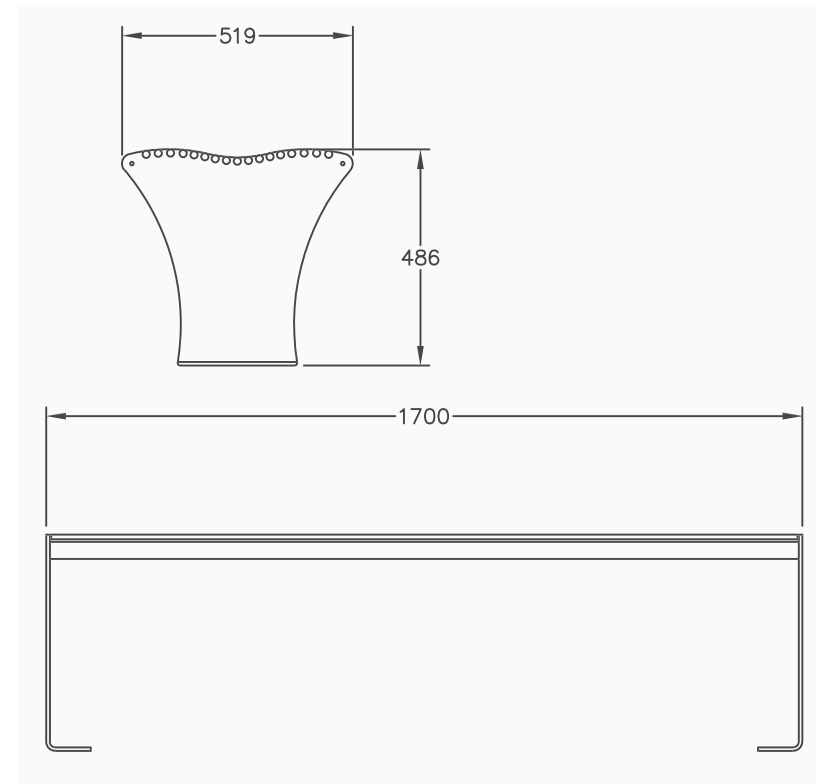
- Laser cut steel
- 16mm round bars

Finishes

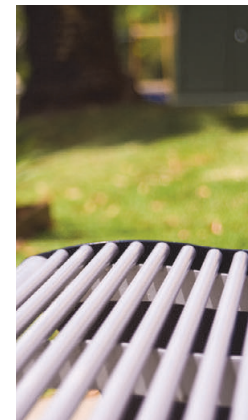
- Hot spray galvanised
- Available in a variety of powder coated colours
- Stainless steel

Options

- Stainless steel rods as an option
- Laser cut logos or motifs on seat ends
- Variable length
- Skateboard stoppers



[Click to view the latest SB3 projects online](#)



Get the latest specification news on



www.urbanff.com.au

07 3382 7372

info@urbanff.com.au

Urban
fountains + furniture