

Bench Seat: SB5

Manufactured using steel plate and round bar, the seats and tables are extremely strong and able to withstand the toughest climatic and environmental conditions. They are perfect for park and Urban settings where there is high volume use.

All seats have been designed to give optimum strength and durability. The SB5 can be tailor made to suit your individual requirements. The standard model is 1750mm long but we can manufacture to any specifications.

Dimensions

- Seat height: 486mm
- Seat length: 1750mm
- Width 533mm

Materials

- Laser cut steel
- 16mm steel round bars

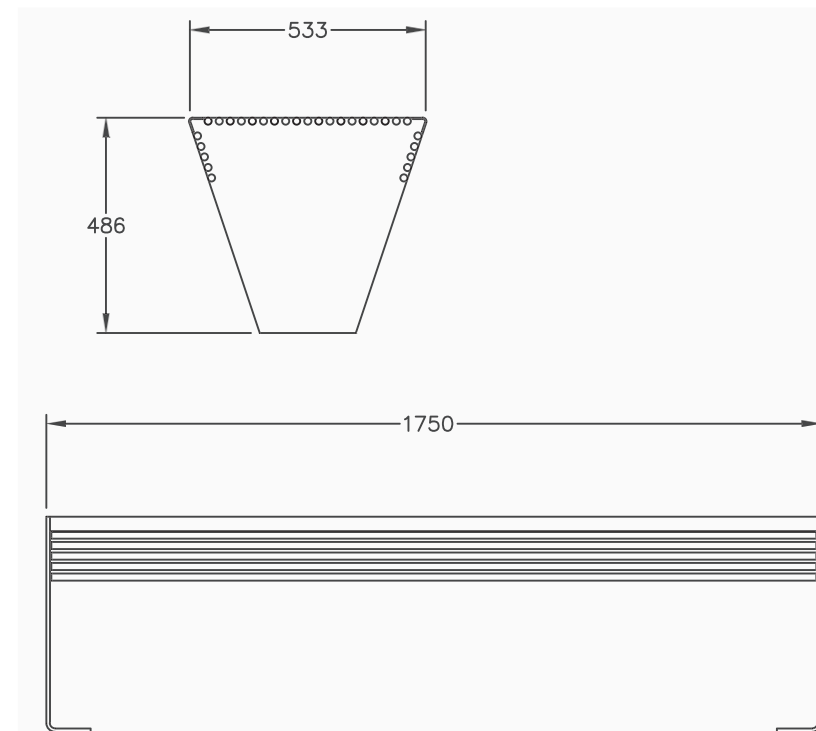
Finishes

- Hot spray galvanised
- Available in a variety of powder coated colours
- Stainless steel

Options

- Stainless steel rods as an option
- Laser cut logos or motifs on seat ends
- Variable length
- Skateboard stoppers
- 8mm flat bar arm rests

[Click to view the latest SB5 projects online](#)



Get the latest specification news on



www.urbanff.com.au

07 3382 7372

info@urbanff.com.au

Urban
fountains + furniture