

# Bench Seat: Urban

The Urban Bench Seat is a great example of simple, ultramodern design. Manufactured in laser cut steel with timber slats, the Urban has been ergonomically designed to give a comfortable seating position.

All seats have been designed to give optimum strength and durability. The Urban is made of the highest quality imported Kwila, suitably seasoned and treated with three coats of hardwood oil for durability and enhanced natural appearance.

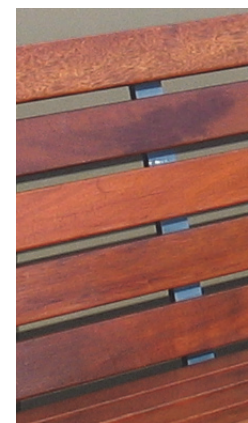
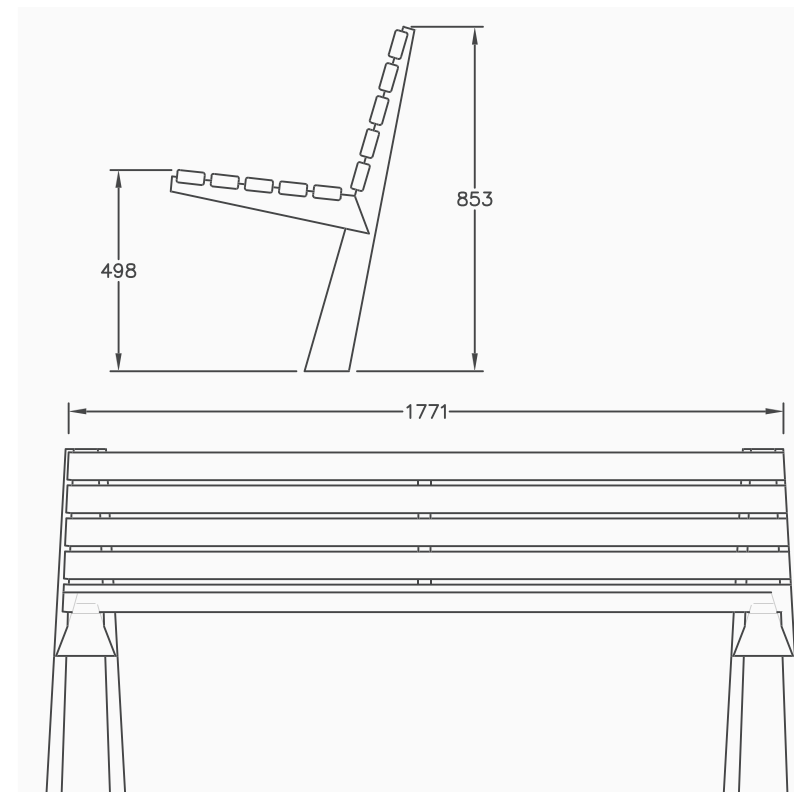
- Dimensions**
- Seat height: 475mm
  - Seat length: 1750mm

- Materials**
- Laser cut steel
  - 16mm round bars
  - Kwila timber battens 68mm x 31mm

- Finishes**
- Available in a variety of powder coated colours
  - All Timber Battens are Kwila Timber protected with three coats of hardwood oil

- Options**
- Optional arm rests
  - Stainless Steel body as an option
  - Aluminium battens as an option
  - Skateboard stoppers

[Click to view the latest Urban projects online](#)



Get the latest specification news on



[www.urbanff.com.au](http://www.urbanff.com.au)

07 3382 7372

[info@urbanff.com.au](mailto:info@urbanff.com.au)

*Urban*  
fountains + furniture